

NOTES:

1. MATERIAL:

- 1.1 HOUSING: THERMOPLASTIC, HIGH TEMP.UL94V-0;COLOR:WHITE.
- 1.2 ACTUATOR: THERMOPLASTIC, HIGH TEMP.UL94V-0;COLOR:BLACK.
- 1.3 CONTACT: COPPER ALLOY
- 1.4 FITTING NAIL: COPPER ALLOY
- 1.5 LOCK PIN: COPPER ALLOY

2. FINISH:

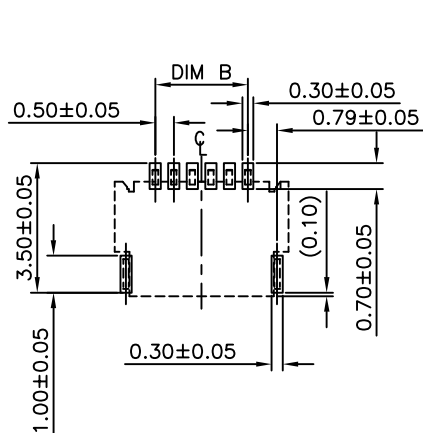
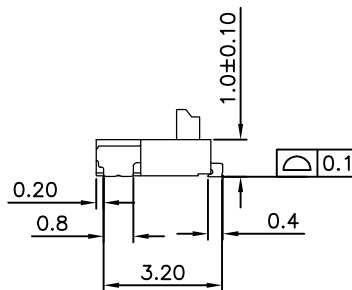
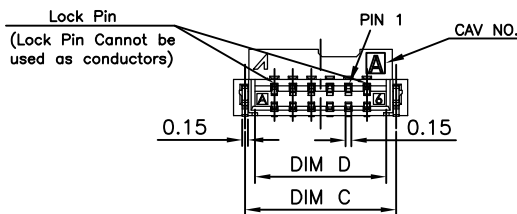
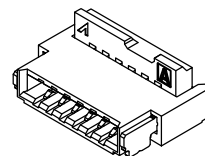
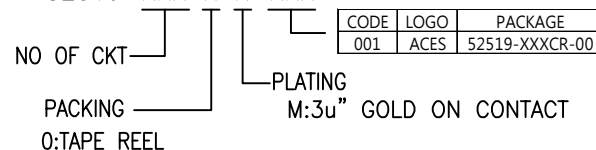
- 2.1 CONTACT:  
50u" MIN NICKEL UNDERPLATING OVERALL.  
M: 3u" GOLD ON CONTACT AND GOLD FLASH ON SOLDER
- 2.2 LOCK PIN:  
50u" MIN NICKEL UNDERPLATING OVERALL.  
1: GOLD FLASH ON SOLDER
- 2.3 FITTING NAIL:  
50u" MIN. NICKEL UNDERPLATING OVERALL.  
100u" MIN. TIN PLATING ON SOLDER TAILS(LEAD FREE).

3. SPEC. PLS. REFER TO PS-52519-XXXXX-XXX

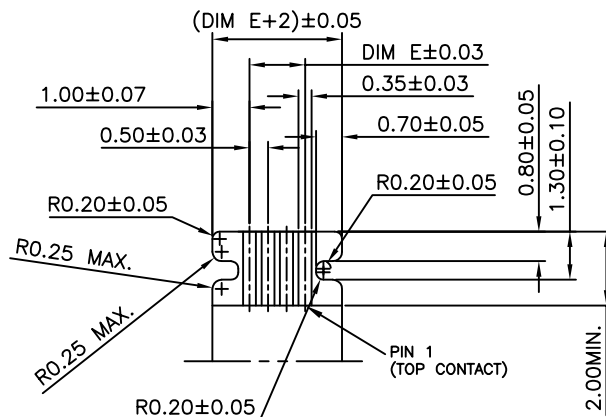
4. PACKAGE PLS. REFER TO 52519-XXXXX-XX-TRP

5. PART NUMBER

52519-XXX X X-XXX



RECOMMENDED P.C.B. LAYOUT  
(GENERAL TOLERANCE: ±0.05mm)



RECOMMENDED FPC/FPC DIMENSIONS  
(GENERAL TOLERANCE ±0.05)

| CKT | DIM A | DIM B | DIM C | DIM D | DIM E |
|-----|-------|-------|-------|-------|-------|
| 004 | 4.70  | 2.50  | 4.08  | 3.55  | 1.50  |
| 006 | 5.70  | 3.50  | 5.08  | 4.55  | 2.50  |
| 008 | 6.70  | 4.50  | 6.08  | 5.55  | 3.50  |
| 010 | 7.70  | 5.50  | 7.08  | 6.55  | 4.50  |
| 012 | 8.70  | 6.50  | 8.08  | 7.55  | 5.50  |
| 014 | 9.70  | 7.50  | 9.08  | 8.55  | 6.50  |
| 016 | 10.70 | 8.50  | 10.08 | 9.55  | 7.50  |
| 018 | 11.70 | 9.50  | 11.08 | 10.55 | 8.50  |
| 020 | 12.70 | 10.50 | 12.08 | 11.55 | 9.50  |
| 022 | 13.70 | 11.50 | 13.08 | 12.55 | 10.50 |
| 024 | 14.70 | 12.50 | 14.08 | 13.55 | 11.50 |

|   |   |                                       |
|---|---|---------------------------------------|
| <b>QUALITY SYMBOLS</b><br>MAJOR Ⓢ<br>CRITICAL Ⓢ<br><b>GENERAL TOLERANCES</b><br>( UNLESS SPECIFIED )<br>X. ±0.50<br>.X ±0.25<br>.XX ±0.15<br>.XXX ±0.10<br>ANGLES ±2° | DRAWN BY<br>Tsai, Wang Kun<br>DATE<br>21/09/17    |                                       |
|   | CHECKED BY<br>Liu, Yuan Huang<br>DATE<br>21/09/17 |                                       |
| APPROVED BY<br>Huang, Kuo Hua<br>DATE<br>21/09/17   | UNITS<br>mm                                       | SIZE<br>A4                            |
| SCALE<br>1:1  | SHEET NO.<br>1 OF 1                               | REV<br>B                              |
|   |   | RFO NO.<br>DWG NO.<br>52519-XXXXX-XXX |